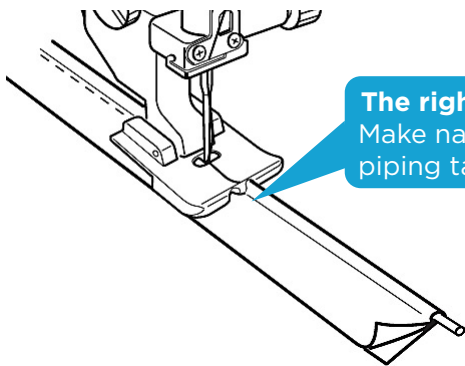


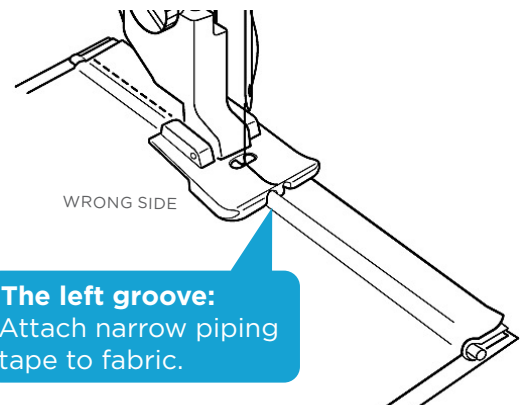
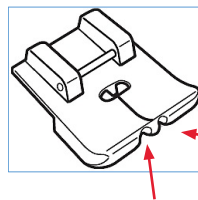
PIPING FOOT (NARROW)

For 9 mm max. stitch width models Part:202-462-006

This foot is used for piping with a cord diameter of about 2 mm. It is useful for making narrow piping tape using the same fabric as the piece of work and for attaching piping tape to fabric.



The right groove:
Make narrow piping tape.



The left groove:
Attach narrow piping tape to fabric.

Smooth sewing of curves

There are two grooves on the back side with the left one shorter than the right one. The foot is therefore suitable for curve sewing as well.

BACK SIDE OF THE FOOT



Can also be used for top stitching

Using the sewn piping cord as a guide, you can top stitch with the same curve.

How to sew curves neatly

In preparation for sewing a curve, snip several cuts in the tape as shown to the right.

