

Your Next
Step in
Finishing.



CoverPro 3000
Professional

JANOME

www.janome.ca

Lights, Lights, Lights!

With two bright LED lights over the needle (A) and bed (B), the CP3000P also has an added retractable LED HighLight over the sewing area (C). Greater visibility means easy to see sewing at it's best!

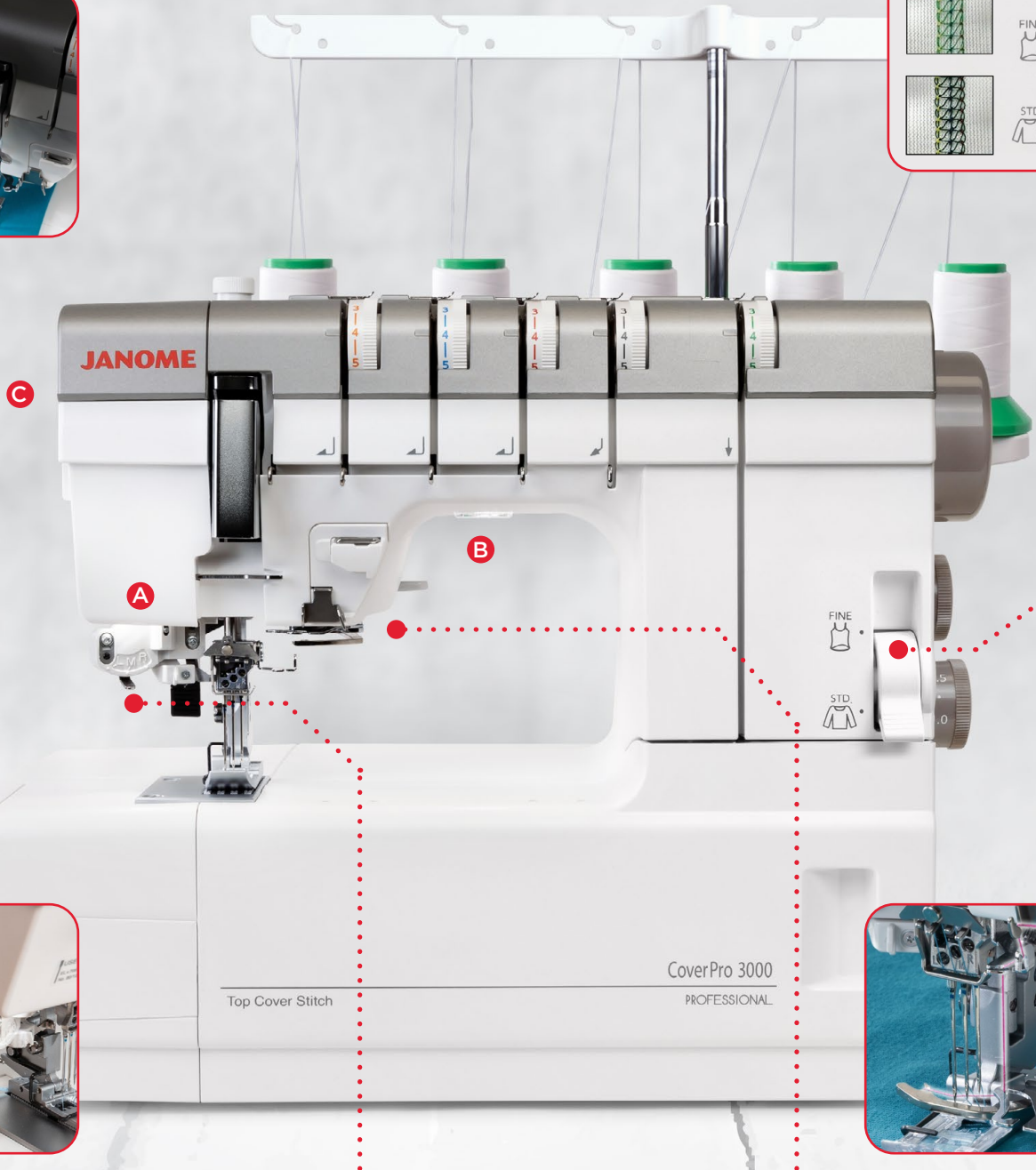
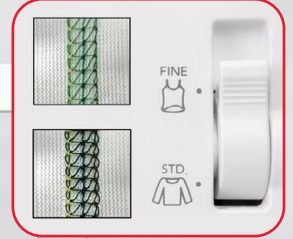


Smooth and Stable

Integrated with a lower shaft ball bearing that reduces vibration and improves stability. More power and torque to sew through heavier weight fabrics.

Fine Mode Switching Lever

Take the guesswork out of adjusting fabric tension. Transition from heavy knit to sheer fabrics with the press of a lever. The unique switching lever automatically softens needle tension without adjusting looper tension.

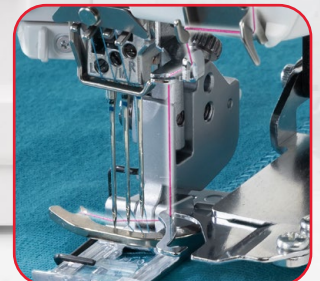


Thread Chain Off

Ending a top stitch cover hem is fast and easy. Simply sew to the end of the fabric and the machine continues the chain stitch making ending and trimming hem seams, quicker than ever!

3 Position Needle Threader

Whether using one, two or all three needles, the built-in 3 position needle threader quickly drops into place, getting started just got faster.



Top Cover Stitch

An industry first! Create beautiful finishes every time with the built-in guide that swings into place to create a double (3 mm) or triple needle (6 mm) top cover stitch, and all in one-step.

BEST FRIENDS: Cut from the same cloth



A trusted name in the industry, the **Professional Series** from Janome is designed and built to exceed the standards to bring you the very best in home sewing.

Beautiful bindings, pristine hems and casings with elastic bands (all in one pass) are done quickly and efficiently with the CP3000 Professional.



SEW THE LOOK

*Wait!
You
Made
That?*



Dress Credit: Simplicity Pattern #9261

Some may not believe, it was made by you? You know, and that's OK! Whether it's basic knitwear, lingerie, dance wear or swimsuits, the Janome **CP3000 Professional** delivers the finishing touches to take your sewing from homemade, to runway worthy. Go ahead strut your stuff and your beautiful creations! Join our community: janomelife.wordpress.com

ACCESSORIZE

More optional accessories designed to make the most out of your cover stitch sewing machine. Please visit: www.janome.ca/en-ca/products/accessories/ and select the filter "CoverPro".

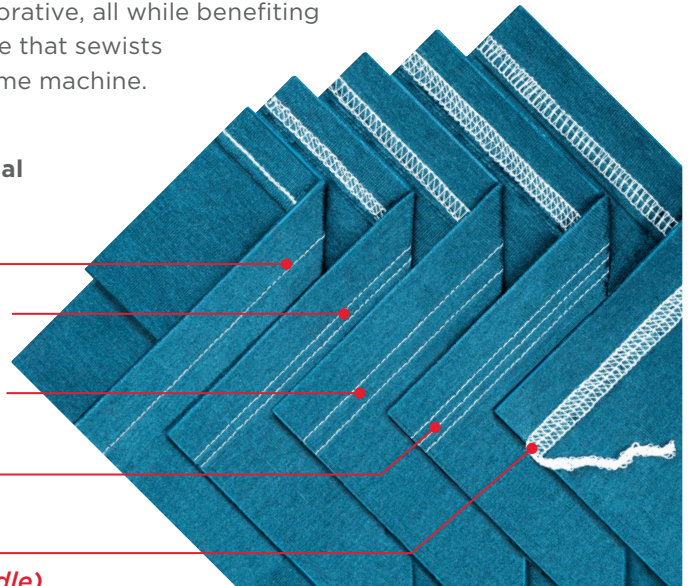


Cover Stitching Possibilities

From passionate hobbyist to professional sewist, we are always looking for ways to perfect our craft. With the **CP3000 Professional**, achieving professional results with hemlines, utilizing double and triple needle cover stitches, as well as chain stitching that can be utilitarian or decorative, all while benefiting from the ease-of-use that sewists expect from a Janome machine.

CP3000 Professional Stitch Guide:

- Chain Stitch*
- Two Needle Cover Stitch (Narrow)*
- Two Needle Cover Stitch (Wide)*
- Three Needle Cover Stitch*
- Top Cover Stitch (Three or Two Needle)*





CoverPro 3000 Professional



CoverPro 2000 CPX



CoverPro 1000 CPX

Product Information

Needles/Threads	3 Needle/5 Thread	3 Needle/4 Thread	3 Needle/4 Thread
Chain Stitch	Yes	Yes	Yes
Double Needle Cover Stitch	3 mm (narrow) and 6 mm (wide)	3 mm (narrow) and 6 mm (wide)	3 mm (narrow) and 6 mm (wide)
Triple Needle Cover Stitch	6 mm	6 mm	6 mm
Top Cover Stitch	3 mm / 6 mm	—	—
Thread Chain Off	Yes	—	—
Tension Level Control (TLC)	Enhanced*	Yes	Seam Tightening System
Built-In Lighting	3 LED	1 LED	1 Lamp
Retractable HighLight	1	—	—
Main Shaft Bearing	Ball Bearing	Metal Bushing	Metal Bushing
Built-In Needle Threader	3 Position	—	—
Thread Guide Type	Slide-In	Slide-In	Closed-loop
Fine Mode Switching Lever*	Yes	—	—
Feed Dogs	Extra Wide	Standard	Standard
Differential Feed Ratio	0.5 - 2.25	0.5 - 2.25	0.5 - 2.25
Stitch Length	1 - 4 mm	1 - 4 mm	1 - 4 mm
Free Arm	Yes	Yes	Yes
Thread Cutter	Yes	Yes	Yes
Vertical Needle Drop	Yes	Yes	Yes
Color Coded Threading	Yes	Yes	Yes
Quick Reference Chart	Yes	Yes	Yes
25 Year Limited Warranty	Yes	Yes	Yes

*Fine mode switching lever complements the Tension Level Control (TLC) function.

CoverPro 3000 Professional Accessories:

Accessory box with clear view foot, tension release clip, screw drivers (large and small), needle set, 5 spool nets, 5 spool holder caps, needle threader, tweezers, lint brush, attachment screws, foot controller, instructional DVD, soft cover



www.janome.ca

JANOME